



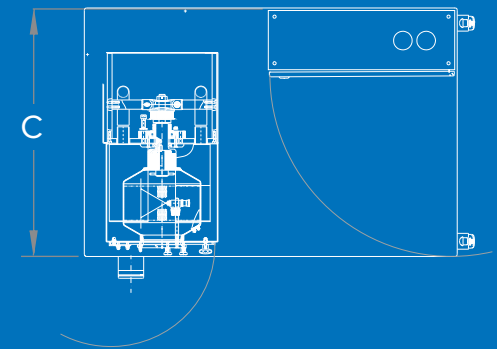
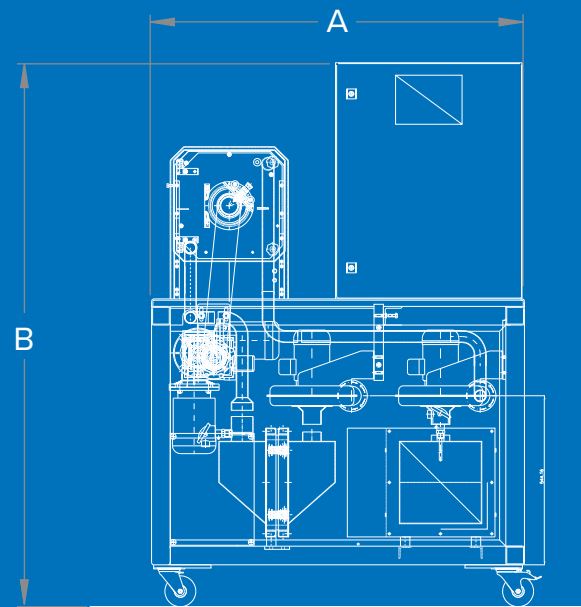
Advanced coating technology in a pilot scale

## **TP R LAB TABLET COATER**

*Coating process technology*

| TABLET COATERS | CAPACITY |         | DIMENSIONS |       |     |
|----------------|----------|---------|------------|-------|-----|
|                | Min.(L)  | Max.(L) | A          | B     | C   |
| Model TP R LAB |          |         |            |       |     |
| Drum 1         | 0,75     | 1,50    | 1.200      | 1.751 | 800 |
| Drum 2         | 1,50     | 3,00    | 1.200      | 1.751 | 800 |

\* Approximate data / Loading levels may change depending on tablet's shape and density



## Perforated pan technology for small batches and simple formulation for tablets and pellets.

Tablet coating is a covering (film coating) that is applied to the surface of a particle or a tablet for different purposes.

The motivation for coating dosage forms range goes from:

- Colour and gloss.
- Improving the stability (light protection, moisture and gas barrier)
- Making it easier to swallow the tablet.

Also, functional coatings can be used to modify the drug release behavior from the dosage form.

Depending on the polymers used it is possible either delay the release of the drug or use the coating to sustain the release of the drug from the dosage form over extended periods.



## Global Service

Our qualified Romaco Service is globally available for you.

Remote Connection as standard feature assist you as alternative to long-distance travel.



Also in our portfolio

## Romaco Tecpharm TP R Optima Tablet Coater

TP R Optima is a smart table coating from 10% to 100% with one single machine based on perforated pan technology. In wall design to be integrated in the clean room to optimize the space for the operations.



# Romaco Tecpharm LAB Tablet Coater

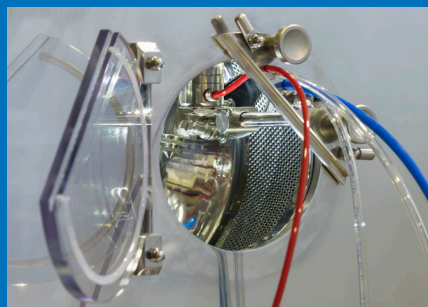
Used for new product development, with a technology that easily allows changing to a pilot scale. And also provides useful information for industrial batches.

The standard equipment is suitable to work with drums from 0,5 to 1 Kg, and 1kg to 2 Kg.

## Main Features

Controls each critical variable which is decisive for the dynamic equilibrium, such as:

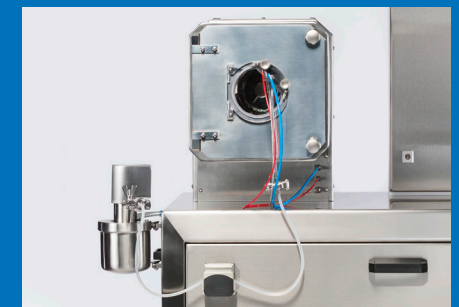
- Compact design
- Peristaltic pump
- Inlet airflow
- Exhaust airflow
- Inlet and exhaust air temperature
- Tablet temperature during the process (infrared)
- Turning speed of the pan drum
- Schlick spray nozzles
- Built in AISI 316L, with surfaces in contact with the product mirror polished with roughness Ra <0.5.
- Easy open front and side door
- Easy to remove
- Tailor-made software designed to visualize and control process variables
- Useful information provided for industrial batches.



Perforated pan drum



Intuitive HMI with manual and automatic modes.



Peristaltic pump