



Flexible, fast, clean tableting

## KTP 180X

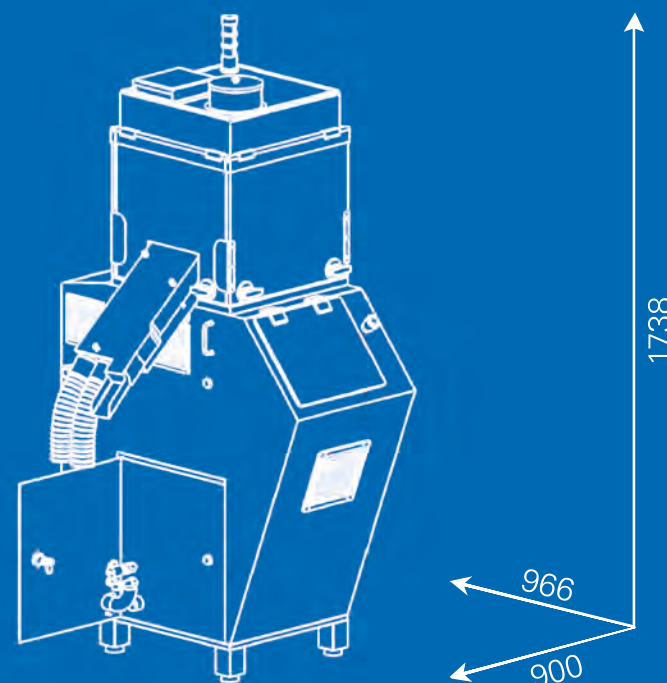
*Single-sided rotary tablet press for pharmaceutical mono-layer applications – from R&D through clinical batches to small scale production.*

Technical Data	KTP 180X					
	19	16	13	13	8	8 (4+4)
Number of press stations	19	16	13	13	8	8 (4+4)
Tool type (EU and TSM)	B	B	B	D	D	B+D
Die type	BBS	BB	B	D	D	B+D
Max. die filling (mm)	17					
Max. tablet diameter (mm)	13	16	18	25	25	18 (B) / 25 (D)
Max. output Mono-layer* (tablets/hour)	79,800	67,200	54,600	54,600	33,600	16,800
Max. pre-compression force** (kN)	10					
Max. main-compression force** (kN)	50					
Standard voltage (V), Frequency (Hz)	400, 50/60					
Compressed air (bar)	6					
Weight (kg)	560					

Technical changes reserved

\* The output depends on tablet size and compressed material

\*\* Maximum punch load dependant on tablet design



# Sustainability - How we help you produce more sustainably

Romaco is committed to climate-neutral technologies, materials and machines.  
How the Kilian KTP 180X rotary tablet press improves your eco-balance.

- 100% climate-neutral: certified calculation of the carbon footprint for manufacturing the KTP 180X
- Small footprint in the cleanroom reduces energy consumption



## Global Service

Through our network of local contacts, we are close at hand whenever you need us.

Call 4 Service and Remote Assist are our climate-friendly alternative to long-distance travel.



## Also in our portfolio Romaco Kilian KTP 1X R&D tablet press

Powerful and high-precision all-in-one R&D compaction simulator for tablet development as well as for simulations of the characteristics of any rotary tablet press. Get a view inside your tableting process.



# Romaco Kilian KTP 180X rotary tablet press

The KTP 180X is a small pharmaceutical rotary tablet press equipped with 8 to 19 press stations, delivering state-of-the-art performance for R&D applications, clinical batches and small scale production of up to 79,800 tablets/hour.

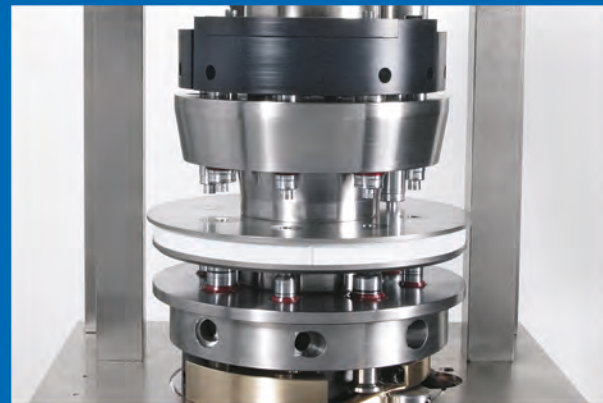


## Highlights

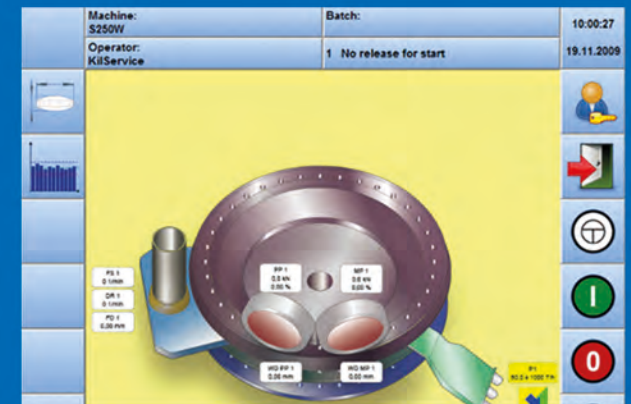
- Interchangeable turret
- Mixed turrets for B+D tooling available
- Easy access to all product contact parts (weight of individual parts < 10kg)
- Unique scale-up functionality via scientifically designed approach
- Unique wear-free brake magnets
- 2 paddle force feed fill shoe available
- Individual tablet rejection system by compressed air
- Fully automated machine including a weight regulation
- Magnesium stearate lubrication available
- Data acquisition system integrated in the operation software
- Smallest footprint among R&D rotary tablet presses



*Tool-free dismantling*



*Easily removable die table*



*Self-explanatory menu*