



Economic, flexible tableting

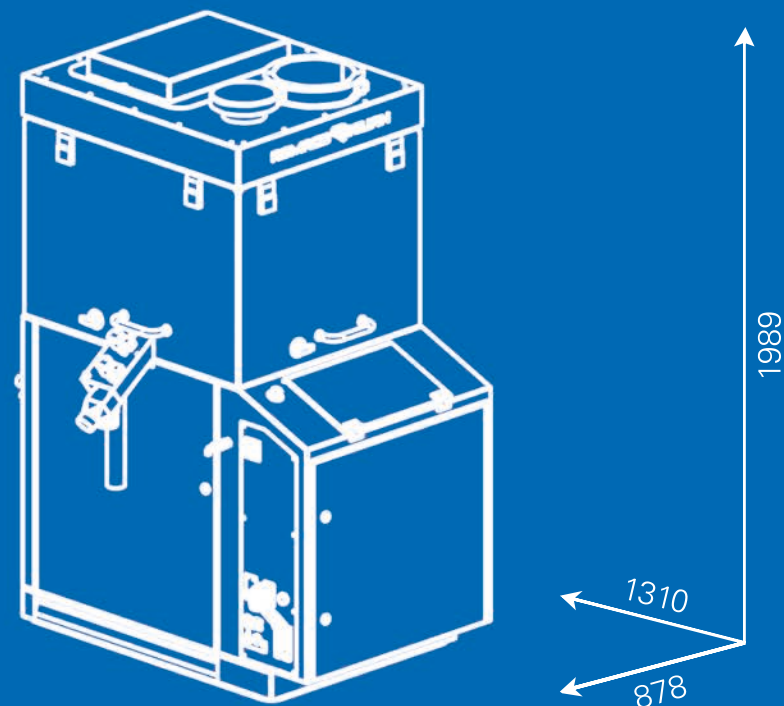
## **E 380 SMART**

*Economic, mid-sized mono-layer rotary tablet press for automatic production of budget sensitive pharmaceutical applications.*

Technical Data	E 380 SMART						
	44	40	32	26	26	26	19
Number of press stations	44	40	32	26	26	26	19
Tool type* (EU and TSM)	B	B	B	D	441	28/41	35/45
Die type	BBS	BB	B	D	D	D	52/30
Max. die filling** (mm)	18	18	18	20	20	20	28
Max. tablet diameter (mm)	11	13	16	24	24	25	33
Max. output Mono-layer*** (tablets/hour)	300,960	271,200	220,800	156,000	156,000	156,000	90,060
Max. pre-compression force**** (kN)	40						
Max. main-compression force**** (kN)	80			100			
Standard voltage (V), Frequency (Hz)	400, 50/60						
Compressed air (bar)	6						
Weight (kg)	1,950						

Technical changes reserved

- \* Special tools/formats available on request
- \*\* Dies may have only one conical opening
- \*\*\* Output depends on tablet size and compressed material
- \*\*\*\* Maximum punch load dependant on tablet design



# Sustainability - How we help you produce more sustainably

Romaco is committed to climate-neutral technologies, materials and machines.  
How the Kilian E 380 SMART rotary tablet press improves your eco-balance.

- 100% climate-neutral: certified calculation of the carbon footprint for manufacturing the E 380 SMART
- Small footprint in the cleanroom reduces energy consumption



## Global Service

Through our network of local contacts, we are close at hand whenever you need us.



Also in our portfolio

## Romaco Kilian E 710 SMART rotary tablet press

Double-sided rotary tablet press with high versatility as well as exchangeable die table for high-volume production of mono- and bi-layer tablets.

**Maximum output: 1,020,000 tablets/hour**



# Romaco Kilian E 380 SMART rotary tablet press

The E 380 SMART represents KILIAN's economic, mid-sized rotary tableting solution. This press is designed for automatic pharma production. The machine has a very compact design while the electronic components have been included in the machine housing.

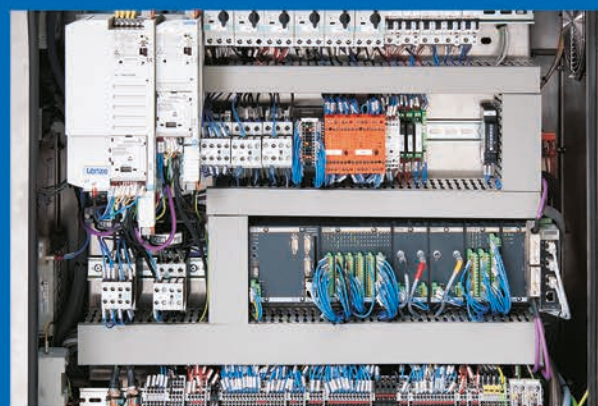


## Highlights

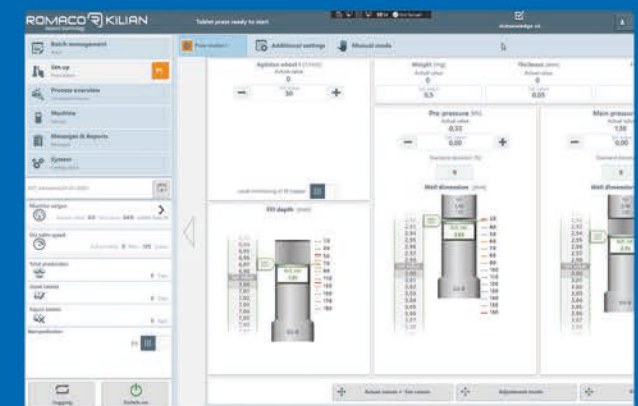
- GAMP compliant automation, qualification and validation
- Unique wear-free brake magnets
- Compact designed machine with included electronic components - small footprint and light weight
- Fast die table exchange with integrated die table lifting system
- Fast set-up and easy operation due to the simple and user-friendly 18,5" HMI control system
- „Kilian Vision“ visualization software



Exchangeable die table



Integrated electrical cabinet



Simple HMI control system based on latest Windows version